

Placas tipo Hongo Resistente a la Intemperie

Por favor lea el manual antes de usar el equipo.

SD-7201GCPE1Q

Botón verde, "EXIT" y "SALIDA", SPDT

SD-7201GC-PEQ

Botón verde, "PUSH TO EXIT", SPDT

SD-7201GFPE1Q

Botón verde, "EXIT" y "SALIDA", DPDT

SD-7201GAPT1Q

Botón verde, "EXIT" y "SALIDA", SPDT, Temporizador

SD-7217GWQ

Botón verde, SPDT, con placa Blanco

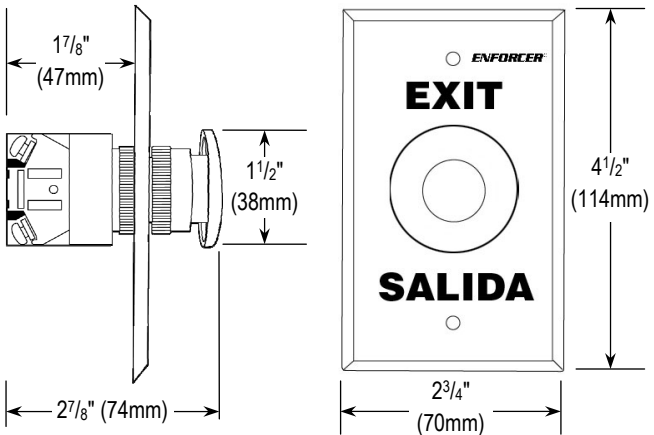
SD-7201RCPE1Q

Botón rojo, "EXIT" and "SALIDA", SPDT

Características:

- Placa tipo hongo resistente a la intemperie es idea para arias situaciones de acceso exterior
- Botón en forma de hongo (verde o rojo) de diámetro 1 1/2" (38mm)
- La cara de la placa es de acero inoxidable
- Ambas palabras "EXIT" y "SALIDA" están escritas en la placa
- Consumo de corriente: 50A@24VCA,3A@24V C.C.*

Dimensiones:



SD-7201GC-PEQ



SD-7201GCPE1Q
SD-7201GF-PE1Q
SD-7201GAPT1Q



SD-7217GWQ



SD-7201RCPE1Q

*SD-7201GAPT1Q solamente

Weather-Resistant Mushroom-Cap Request-to-Exit Plate

Please read the manual carefully before beginning installation.

SD-7201GCPE1Q

Green button, "EXIT" and "SALIDA", SPDT

SD-7201GC-PEQ

Green button, "PUSH TO EXIT", SPDT

SD-7201GFPE1Q

Green button, "EXIT" and "SALIDA", DPDT

SD-7201GAPT1Q

Green button, "EXIT" and "SALIDA", SPDT, Timer

SD-7217GWQ

Green button, SPDT, with white plate

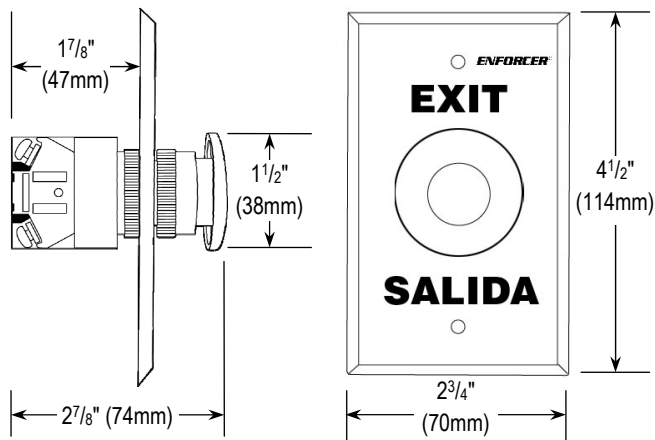
SD-7201RCPE1Q

Red button, "EXIT" and "SALIDA", SPDT

Features:

- Weather-resistant mushroom-cap push-button is ideal for a number of outdoor access situations
- 1½" (38mm) diameter mushroom-cap (green or red)
- Single-gang plate
- Contact rating: 50A@24VAC, 3A@24VDC*

Dimensions:



SD-7201GC-PEQ



SD-7201GCPE1Q
SD-7201GF-PE1Q
SD-7201GAPT1Q



SD-7217GWQ



SD-7201RCPE1Q